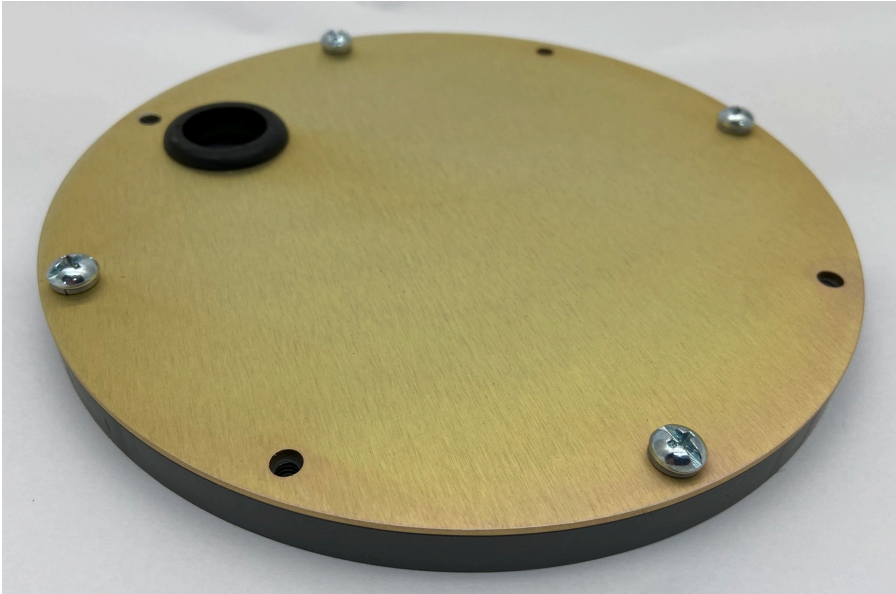


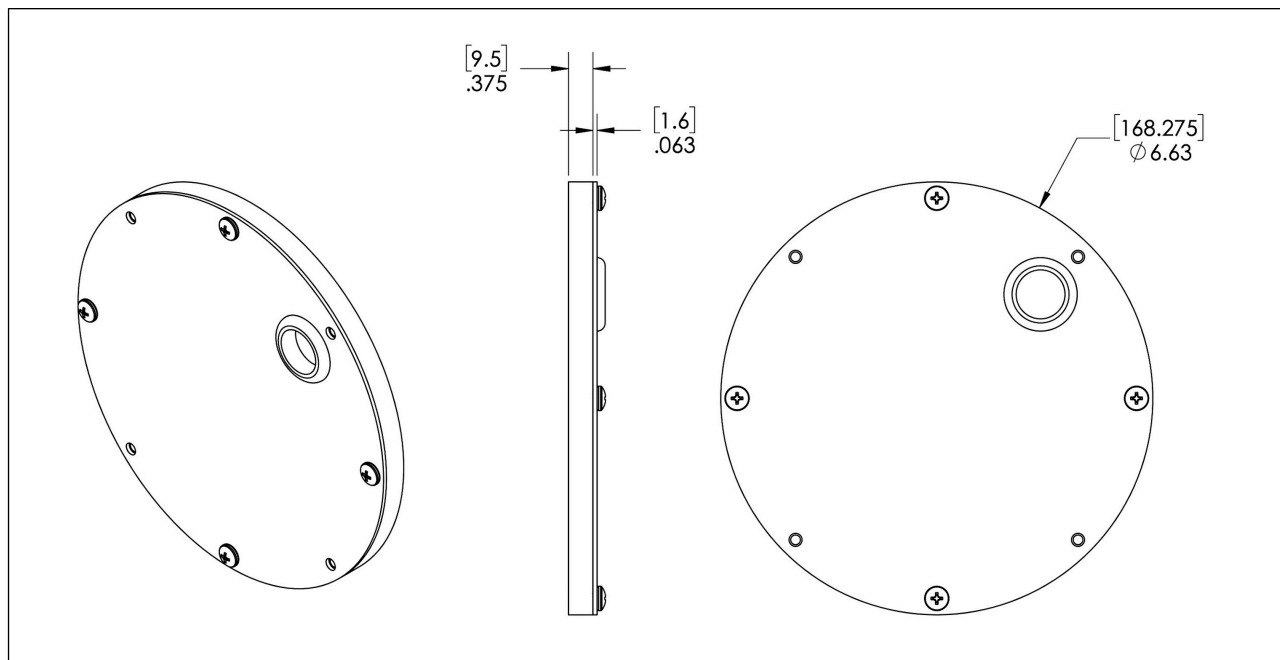
Interior Mounting Ring and Plate, for 10" Spheres

IFS-104/105-10



Securely and conveniently mount your electronics inside a 10" instrument sphere using the **Interior Mounting Ring and Plate**. The PVC Ring is adhesively bonded to the interior of the 10" sphere (polyamide or glass) creating a compliant joint. The aluminum **Mounting Plate** easily attaches to the ring with four screws. The Aluminum plate has plenty of thickness for rivet nuts, through bolts, and grommets.

Connector through-hull ports can be positioned below the plate for short wire runs.



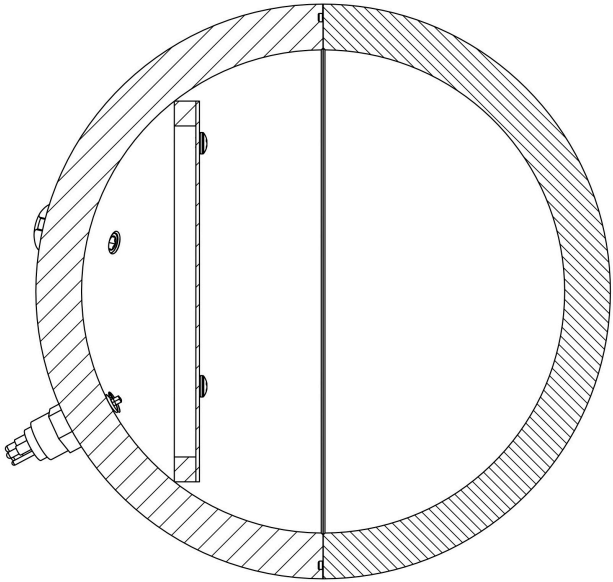
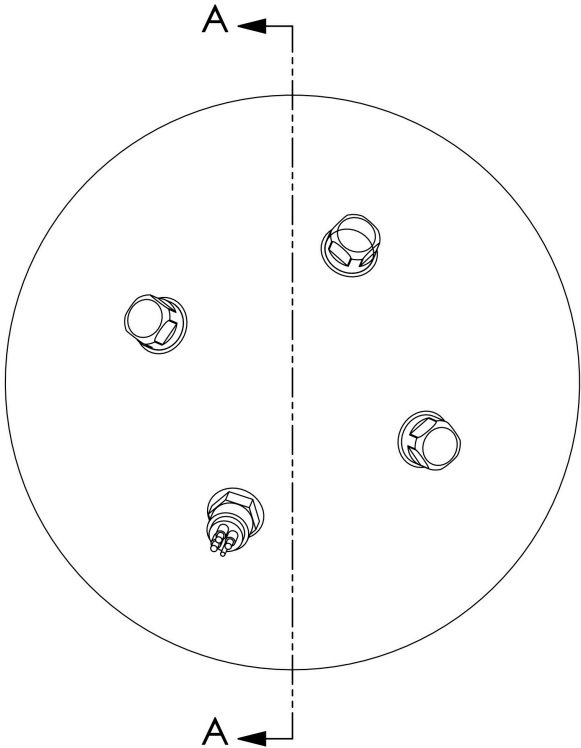
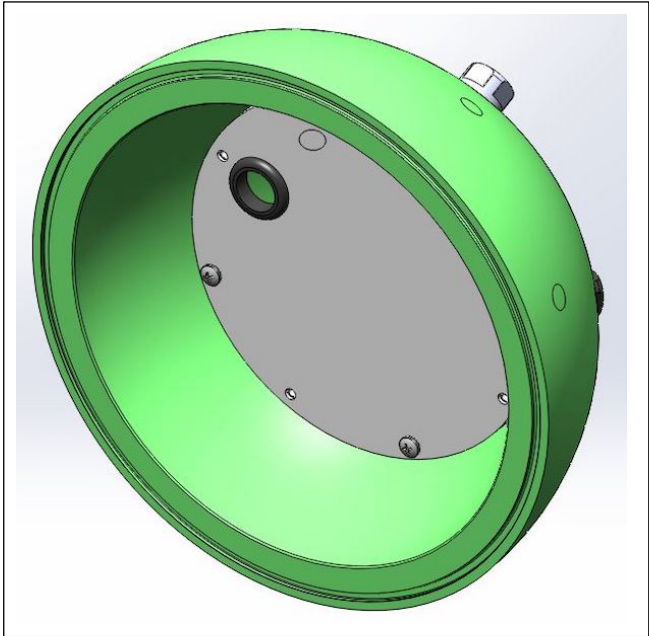
Specifications

- Plate, 6061-T6 Al, 6.63" OD x 0.063" thick, gold chem film finish.
- Ring, PVC, 6.63" OD x 3/8" thick, tapped 10-24 thru, 8 places.
- Gorilla Heavy Duty Construction Adhesive recommended for bonding of ring.



Interior Mounting Ring and Plate, for 10" Spheres

IFS-104/105-10



SECTION A-A