

# Interior Mounting Ring and Plate, for 17" Sphere

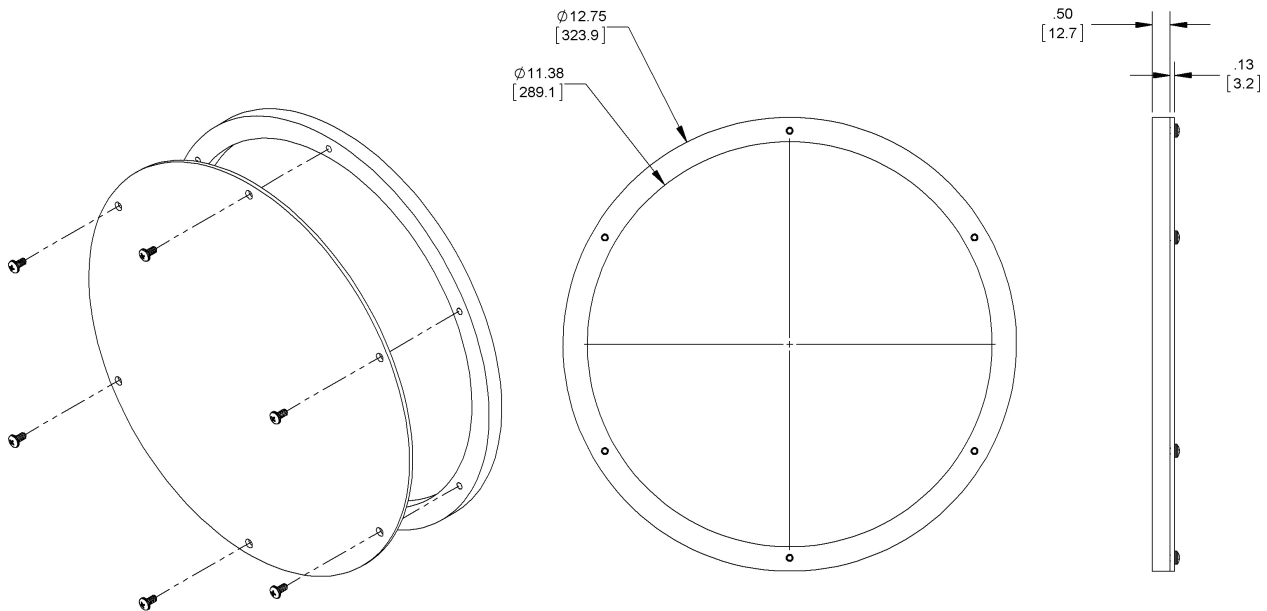
IFS-104/105-17



Securely and conveniently mount your electronics inside a 17" instrument sphere using the **Interior Mounting Ring and Plate**. The PVC Ring is adhesively bonded to the interior of the 17" glass sphere creating a compliant joint. The aluminum **Mounting Plate** easily attaches to the ring with six screws. The Aluminum plate has plenty of thickness for rivet nuts, through bolts, and grommets.

Connector through-hull ports can be positioned below the plate for short wire runs.

*Production plates are gold chemfilmed.*



## Specifications

- Plate, 6061-T6 Al, 12.75" OD x 0.13" thick, gold chem film finish.
- Ring, PVC, 12.75" OD x 1/2" thick, tapped 1/4-20 thru, 6 places.
- Gorilla Heavy Duty Construction Adhesive recommended for bonding of ring. Sand outer surface of ring before bonding. Clean interior of glass with glass cleaner. Allow to dry before bonding.

