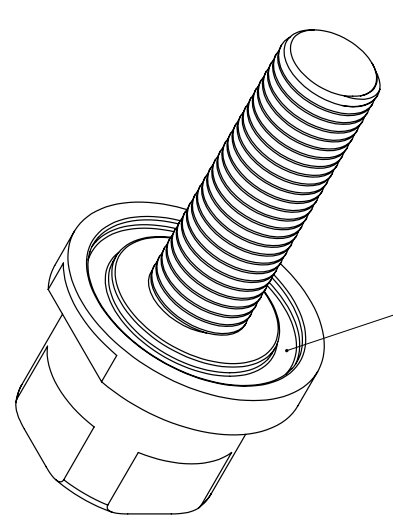
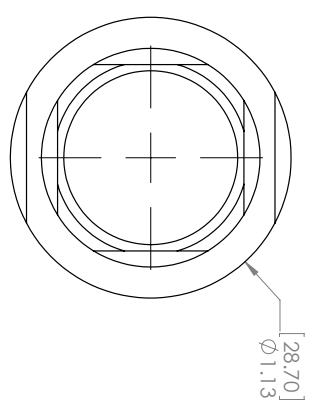
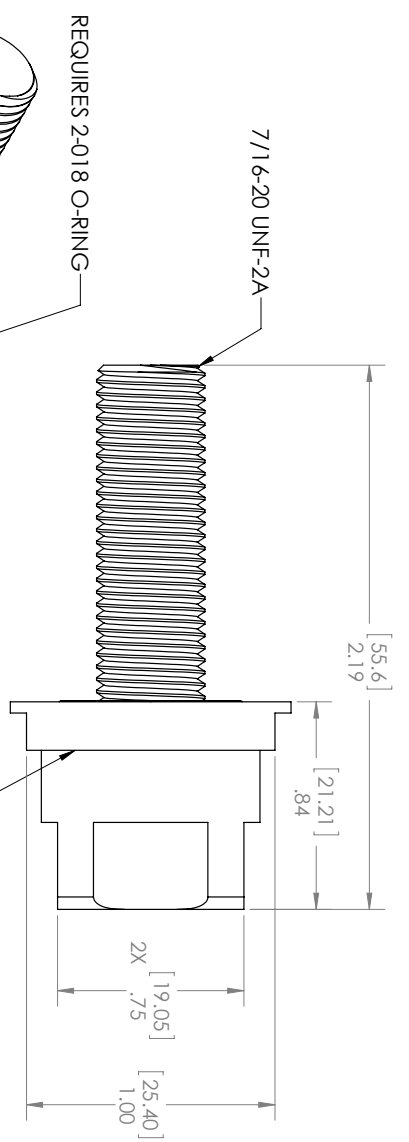


REVISIONS				
ZONE	REV.	DESCRIPTION	DATE	APPROVED
A	1	PRODUCTION RELEASE	2/9/2016	K. HARDY

- NOTES: UNLESS OTHERWISE SPECIFIED
- O-RING: 2-018
  - REQUIRES  $\phi 7/16$  [1.1.1] CLEARANCE HOLE AND MINIMUM  $\phi 1.00$  [ $\phi 25.4$ ] SPOTFACE WITH 32 MICRON INCH [0.8 MICROMETER] SURFACE FINISH.
  - REQUIRES GOD-127 VACUUM PORT ADAPTER OR GOD-107 DECK PURGE BOX.



THIS INTERFACE REQUIRES 2-015 O-RING

UNLESS OTHERWISE SPECIFIED:		NAME	DATE	<b>GLOBAL OCEAN DESIGN</b> <b>PURGE PORT,</b> <b>7/16-20</b>
DIMENSIONS ARE IN INCHES	DRAWN	D. SULLI	12/21/15	
TOLERANCES:	CHECKED			
FRACTIONAL: ANGULAR: MATCH ±.01 HOLE: ±.01 HOLE DEPTH: ±.01 THREE PLACE DECIMAL: ±.005	ENG APPR: MFG APPR: Q.A.	K. HARDY	12/21/15	
INTERFET/GEOMETRIC TOLERANCING PER: MATERIAL: TITANIUM, 6AL-4V	COMMENTS:			
FINISH: 32 MICRON INCH, UNLESS NOTED OTHERWISE DO NOT SCALE DRAWING	NEXT ASSY: USED ON: APPLICATION:			SIZE: DWG. NO. <b>B</b> SCALE: 1:1 WEIGHT: SHEET 1 OF 1

**PROHIBIT AND CONFIDENTIAL**  
 THE INFORMATION CONTAINED IN THIS DRAWING IS THE SOLE PROPERTY OF GLOBAL OCEAN DESIGN. ANY REPRODUCTION IN PART OR AS A WHOLE WITHOUT THE WRITTEN PERMISSION OF GLOBAL OCEAN DESIGN IS PROHIBITED.