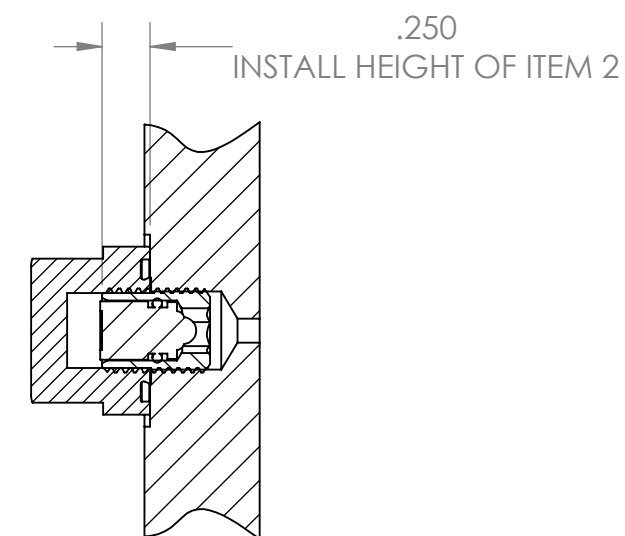
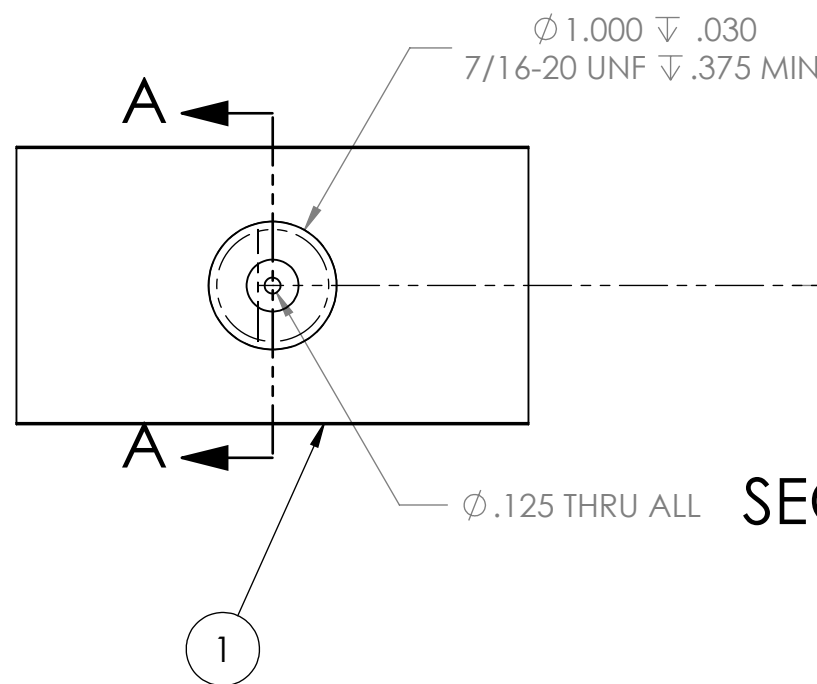
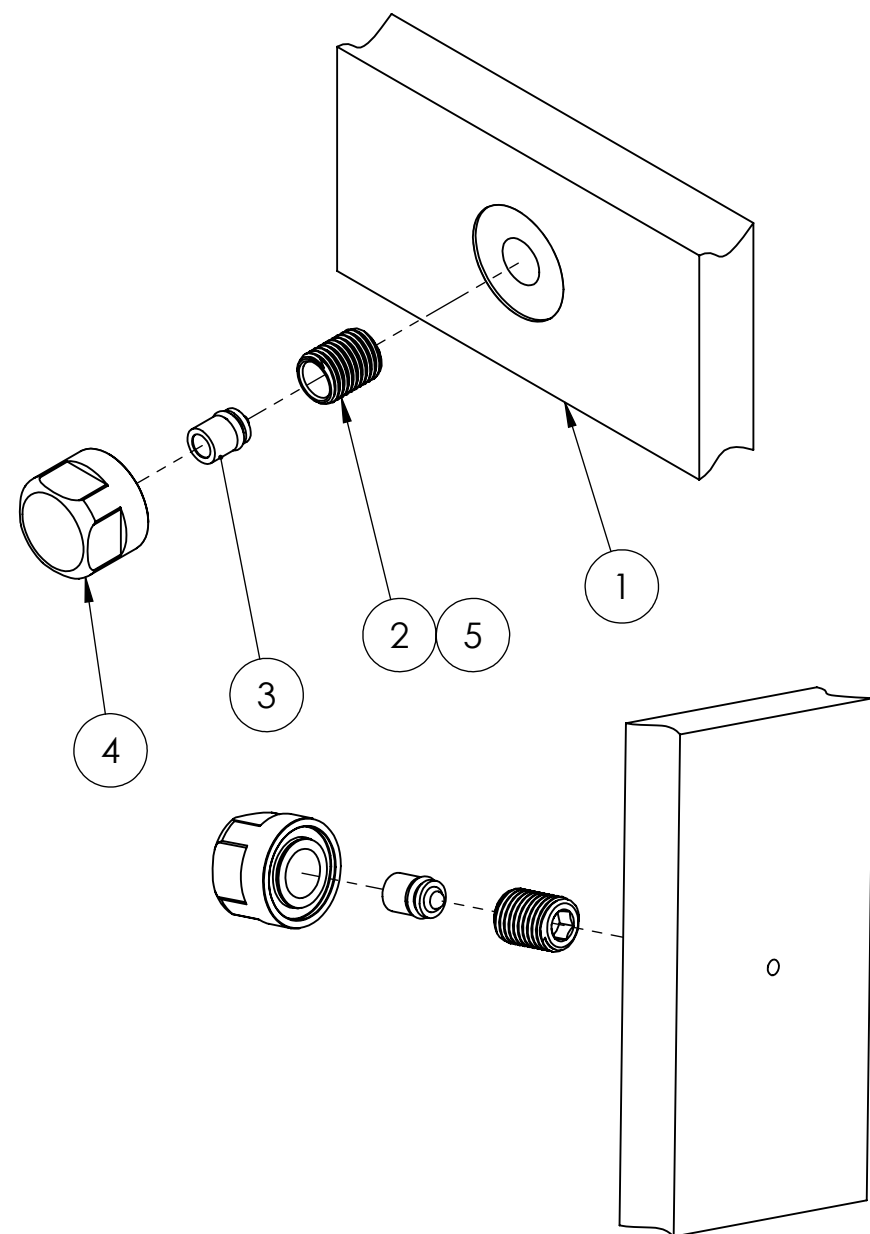


NOTES: UNLESS OTHERWISE SPECIFIED

1. USE O-RING 2-015, BUNA-N, SHORE A 70.
2. LUBRICATE WITH DOW CORNING DC111 OR EQUIVALENT.
3. REQUIRES G-127 DPB PURGE PORT ADAPTER FITTING.
4. VALVE CAP (ITEM 4) MUST BE SAME MATERIAL AS END CAP (ITEM 1). IF ALUMINUM, PLUG 7/16-20 THREADS IN CAP AND END CAP DURING ANODIZING TO PERMIT ELECTRICAL CONNECTION, ALLOWING BOTH TO BE PROTECTED BY ONE SACRIFICIAL ZINC ANODE.

REVISIONS				
ZONE	REV.	DESCRIPTION	DATE	APPROVED
	A	INITIAL RELEASE	3/6/2016	K. HARDY
	B	ADDED BOM AND ISO VIEWS	6/28/2016	

ITEM NO.	PART NO	PART NAME	QTY.
1	CF	END CAP	1
2	1300005	BODY, 7/16 SHORT, PURGE PORT	1
3	1300012	CHECK VALVE	1
4	1300001	VALVE CAP	1
5		LOCTITE 271	



SECTION A-A SCALE 1:1

PROPRIETARY AND CONFIDENTIAL
 THE INFORMATION CONTAINED IN THIS DRAWING IS THE SOLE PROPERTY OF GLOBAL OCEAN DESIGN. ANY REPRODUCTION IN PART OR AS A WHOLE WITHOUT THE WRITTEN PERMISSION OF GLOBAL OCEAN DESIGN IS PROHIBITED.

UNLESS OTHERWISE SPECIFIED:		NAME	DATE
DIMENSIONS ARE IN INCHES		DRAWN	D. SULLI 060316
TOLERANCES:		CHECKED	
FRACTIONAL ±		ENG APPR.	K. HARDY 060316
ANGULAR: MACH ±.01 BEND ±.01		MFG APPR.	
TWO PLACE DECIMAL ±.01		Q.A.	
THREE PLACE DECIMAL ±.005		COMMENTS:	
INTERPRET GEOMETRIC TOLERANCING PER:			
MATERIAL:			
FINISH: SEE DRAWING			
NEXT ASSY	USED ON		
APPLICATION	DO NOT SCALE DRAWING		

GLOBAL OCEAN DESIGN™

TITLE: **INSTALLATION, PURGE PORT, END CAP**

SIZE **B** DWG. NO. **G-129** REV **A**

SCALE: 2:1 WEIGHT: SHEET 1 OF 1