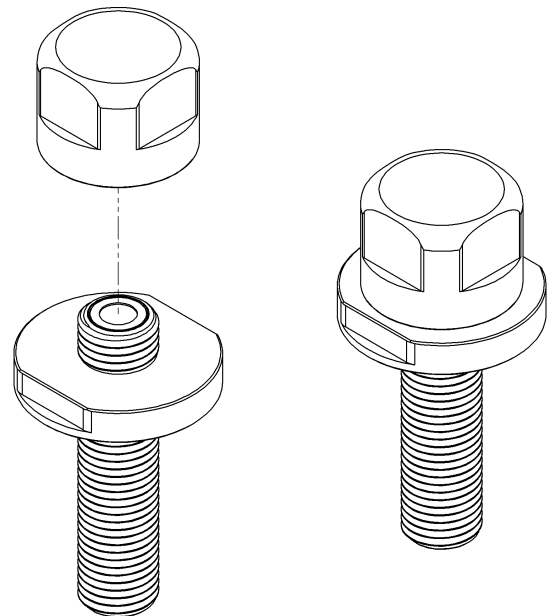
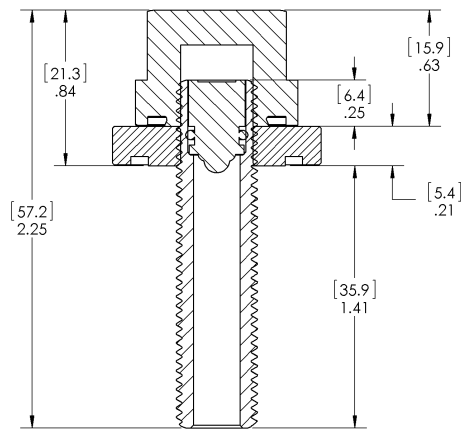
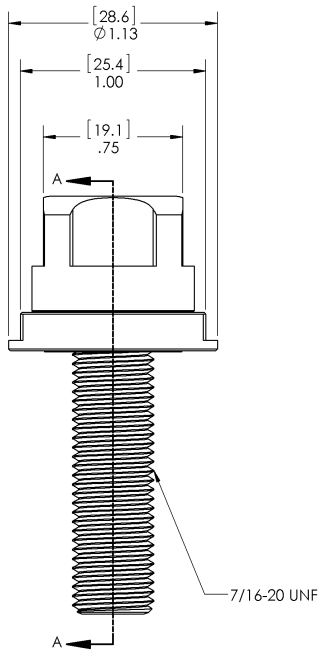


Purge Port, sphere, 7/16" shank (G-101)



The self-sealing Purge Port (G-101) fits through a standard clearance 7/16" hole with a 1" spotface, such as in a glass sphere. A check valve automatically closes when the adapter fitting (G-127) is removed, providing time to inspect and clean the o-ring seal. Big UNF threads make engagement simple, with no danger of over-torquing and breaking off the threaded fastener. So well made, the assembly has survived 18,000 psi with the cap only hand-tightened. So unique it's patented. The G-101 works with the G-107 Deck Purge Box to remove moisture from interior air. Once the purge process is completed, the pressure proof cap completes the assembly. Parts exposed to seawater are made from Ti 6-4, with an individual serial number, and tested to 18,000 psi.



Specifications

- Ti 6-4 for all metal exposed to seawater
- 3/4" wrench flats on cap
- 1" wrench flats on body for installation
- Tested to 18,000 psi
- O-ring, body, 2-018, N0674-70
- O-ring, cap, 2-015, N0674-70
- Interior fastener hardware includes nylon and SS flat washers, SS lock washer and hex nut