

Pressure Proof Cap (G-103)

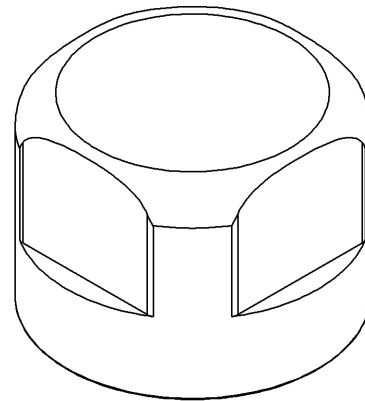
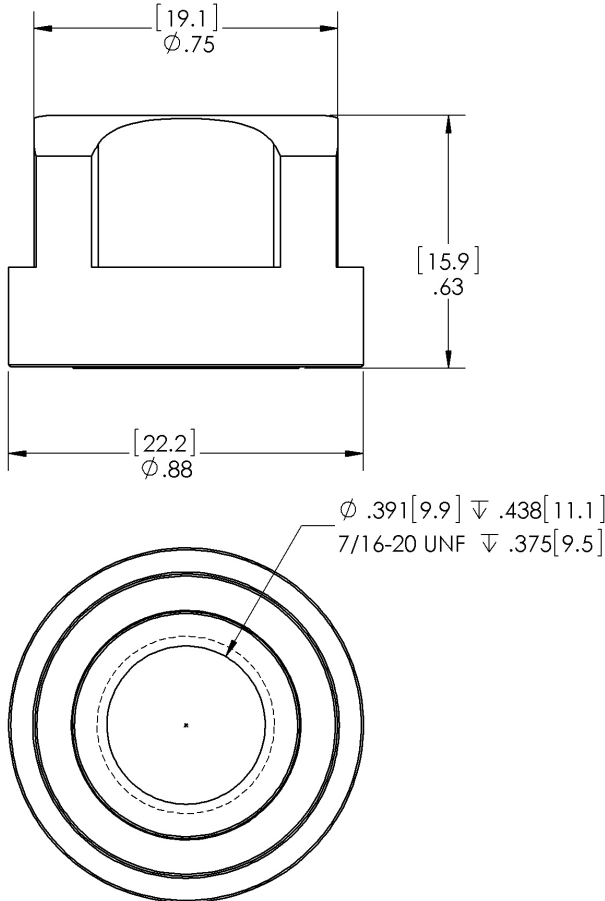


This Pressure Proof cap is used with all Global Ocean Design Self-Sealing Purge Ports (G-101, G-102, G-129).

A half-dovetail groove holds the o-ring in place during installation.

Available in Ti 6-4, anodized 6061-T6, Brass, or Delrin.

Sold in packs of 3. Includes extra o-rings (2-015, N0674-70).



Specifications

- 3/4" wrench flats on cap
- O-ring, cap, 2-015, N0674-70
- Ti 6-4 designed to survive exposure to 18,000 psi

