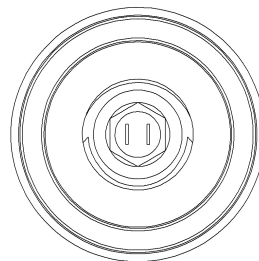
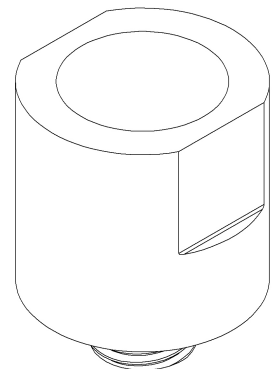
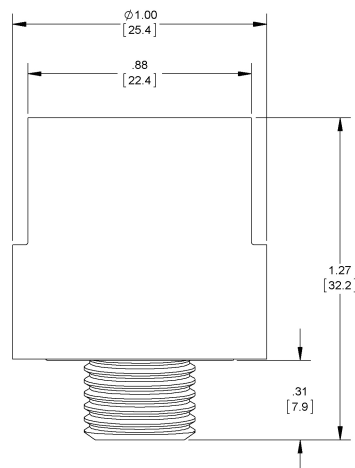
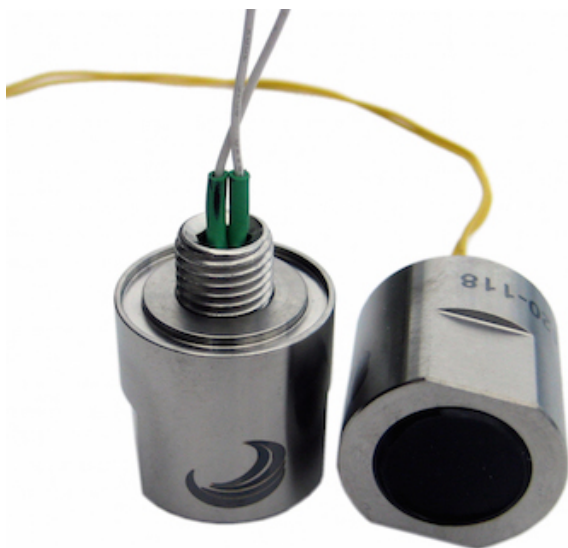


Pressure Activated Switch, cylinder (G-121)



This Pressure Activated Switch fits a tapped 7/16" hole with a 1" spotface. It triggers at approximately 2-3 atm, and survives extreme overpressure of 1,200atm. Designed to work with our beacon board, but useful as a safety or enable switch. Available as Option 1: "ON" at surface, "OFF" at depth, or Option 2: "OFF" at surface, "ON" at depth. The body is made from Ti 6-4, with other materials possible. Individually serialized, with certificate of testing.



Specifications

- 7/8" wrench flats on body
- Triggers, 2-3 atm, tested to 18,000 psi
- O-ring, 2-018, N0674-70
- Body available in Ti 6-4, Anodized 6061-T6
- Option 1: "ON" at surface, "OFF" at depth, or Option 2: "OFF" at surface, "ON" at depth.

