



Blanking Plug for Glass Spheres

IFS-114



The ability to add or remove an underwater connector provides end users with system flexibility.

Order a glass sphere with an additional pre-drilled clearance 9/16" diameter hole with a 1-1/8" ground spotface, and plug the spare port with the Global Ocean Design Blanking Plug (IFS-114).

Should the need arise, the predrilled hole will provide the ability to easily add any BH or MCBH bulkhead connector with a 7/16-20 or 1/2-20 thread using the Global Ocean Design MCBH Adapter for Glass Spheres (IFS-180) (sold separately).

Key Features:

- Provides system expansion capability
- Available to fit clearance 9/16" drill holes

Notes:

- Companion product for the MCBH Adapter for Glass Spheres (IFS-180)

globaloceandesign.com

info@globaloceandesign.com

858.560.1799

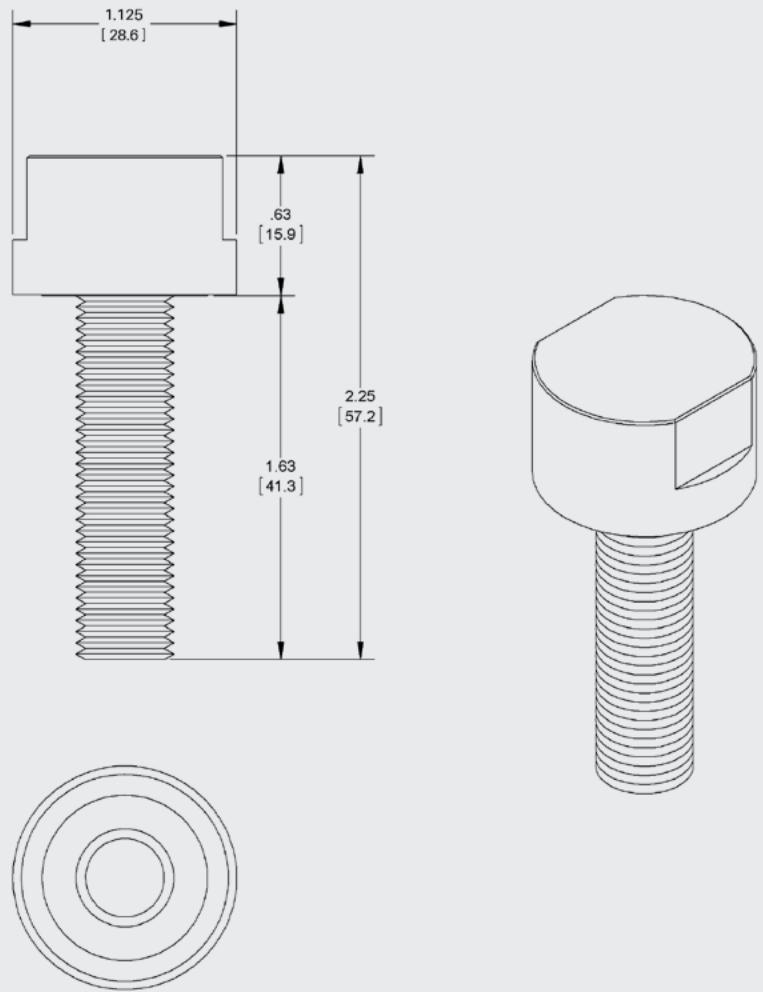
7955 Silverton Ave., Suite 1208
San Diego, CA 92126

Blanking Plug for Glass Spheres

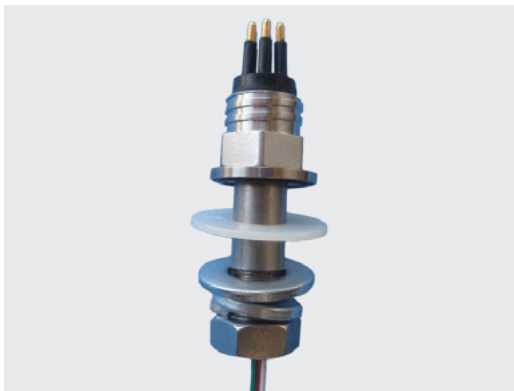
IFS-114

Specifications:

- Exterior body: Ti 6-4
- Includes interior fastener hardware
- Individually serialized
- Standard factory testing to 10,000 psi
- Optional factory testing to 18,000 psi
- Wrench flats on the body facilitate installation
- O-ring: 2-019 N70



Companion Product:



MCBH Adapter for Glass Spheres

IFS-180

The Global Ocean Design MCBH Adapter for Glass Spheres (IFS-180) extends the thread length of the commonly used BH or MCBH connectors through a glass sphere wall of any thickness.