



Magnetically Activated Switch for End Caps

MAS-147



A Magnetically Activated Switch turns a system on or off before deployment or after recovery.

A normally open-common-normally closed (SPDT) reed switch is housed inside the switch body.

The bright orange screw-on cap containing the neodymium magnet is removed before deployment to activate the switch.

Key Features:

- Ideal for battery-powered applications as the contacts do not draw power when in the OFF state
- High reliability SPDT switch reed contacts last for millions of operating cycles under microcontroller logic level loads
- Designed for use with flat end caps or polyamide spheres

Specifications:

- Body options: Delrin (rated to 2km), Aluminum 6061-T6 natural anodized (rated to 6km), and Titanium 6-4
- Fits a 7/16" -20 x 3/4" full thread hole with a 1" spotface
- Contacts rated for 5 Watts DC

globaloceandesign.com

info@globaloceandesign.com

858.560.1799

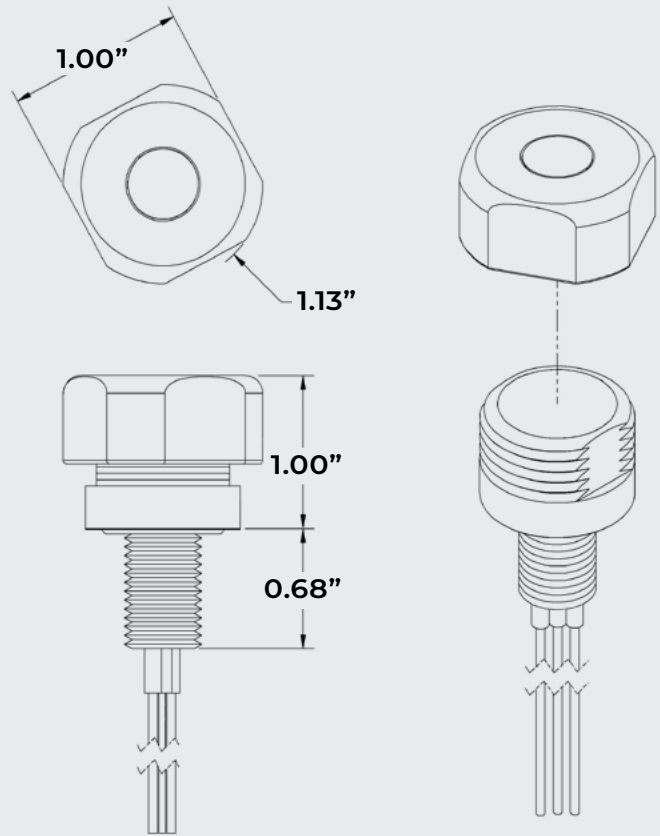
7955 Silverton Ave., Suite 1208
San Diego, CA 92126

Magnetically Activated Switch for End Caps

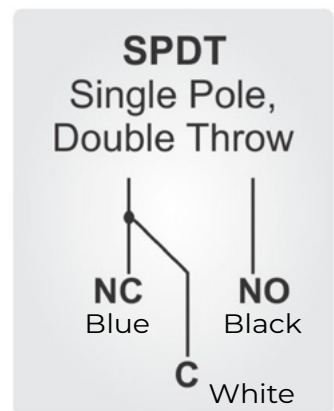
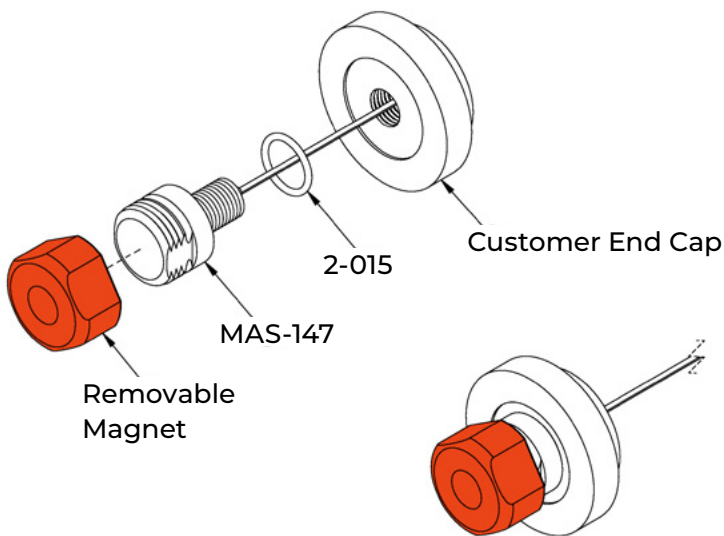
MAS-147

- Aluminum 6061-T6 and Titanium 6-4 tested to 10,000 psi*
- Delrin tested to 3,000 psi
- 3/4" wrench flats on body for installation
- O-ring, 2-015, N0674-70

*Titanium 6-4 testing to 18,000 psi available at additional charge



Installation Instructions:



Choice of normally open or normally closed with magnet removed.