



Pressure Activated Switch for Glass Spheres

PAS-320



A Pressure Activated Switch turns instruments on or off after deployment.

Selected to be either on at the surface or on at depth. As the switch is carried below 2-5 atmospheres deep, it switches to the alternate position. On return to the surface, the switch toggles back to the initial position. The switch can withstand overpressure to 1,225 atmospheres.

Key Features:

- Designed to fit a standard 7/16" clearance hole in glass with a 1" spotface
- Made of Titanium 6-4 for maximum strength and corrosion resistance
- Triple frictionless seal on the sensor side
- Tested to 10,000 psi*
- Individually serialized
- High reliability SPST switch

Specifications:

- Triggers, 2-5 atm
- Customer to specify:
 - **Option 1:** "ON" at surface, "OFF" at depth, or
 - **Option 2:** "OFF" at surface, "ON" at depth
- Current capacity: 7 Watts DC

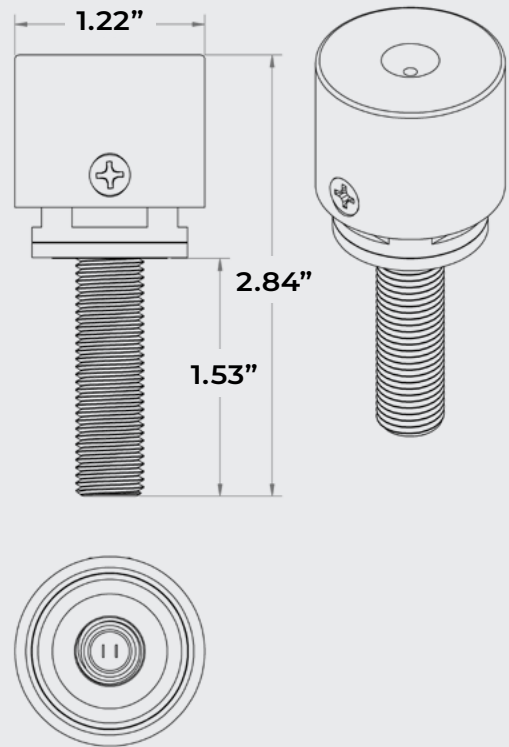
*18,000 psi testing available at additional cost

globaloceandesign.com
info@globaloceandesign.com
858.560.1799
7955 Silverton Ave., Suite 1208
San Diego, CA 92126

Pressure Activated Switch for Glass Spheres

PAS-320

- 7/8" wrench flats on body.
- Install wrench included.
- US Mill or DFARS Only sourced Ti 6-4.



Install Instructions

