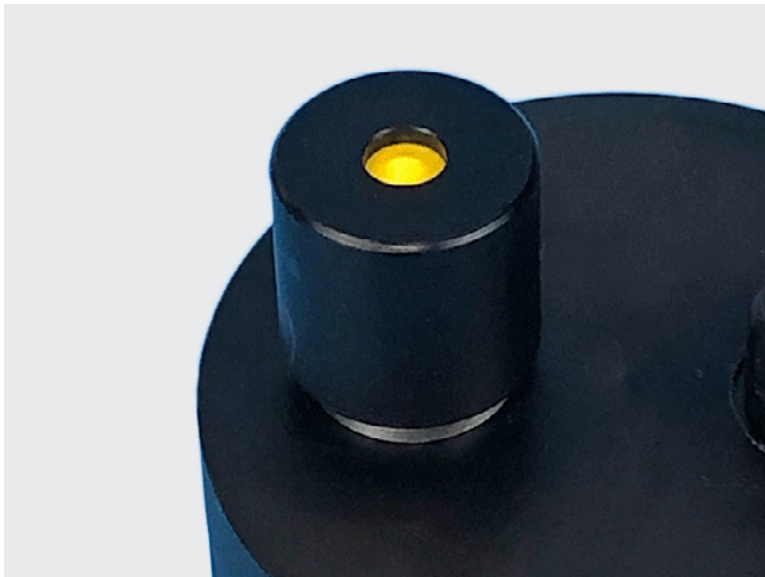




Pressure Activated Switch for Endcaps

PAS-321



A Pressure Activated Switch turns instruments on or off after deployment.

Selected to be either on at the surface or on at depth. As the switch is carried below 2-5 atmospheres deep, it switches to the alternate position. On return to the surface, the switch toggles back to the initial position. The switch can withstand overpressure to 1,225 atmospheres.

Key Features:

- Designed to fit a standard tapped 7/16"-20 x 3/8" full thread hole with a 1" spotface
- Made of Titanium 6-4 for maximum strength and corrosion resistance
- Triple frictionless seal on the sensor side
- Tested to 10,000 psi*
- Individually serialized
- High reliability SPST switch

Specifications:

- Triggers, 2-5 atm
- Customer to specify:
 - **Option 1:** "ON" at surface, "OFF" at depth, or
 - **Option 2:** "OFF" at surface, "ON" at depth
- Current capacity: 7 Watts DC

*18,000 psi testing available at additional cost

[globaloceandesign.com](https://www.globaloceandesign.com)

info@globaloceandesign.com

858.560.1799

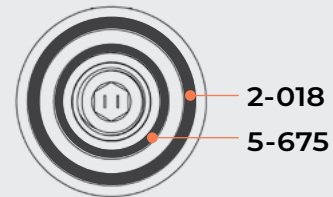
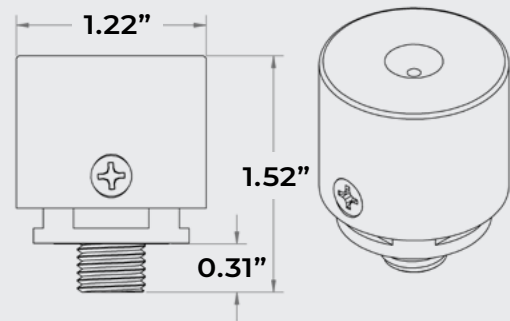
7955 Silverton Ave., Suite 1208
San Diego, CA 92126

Pressure Activated Switch for Endcaps

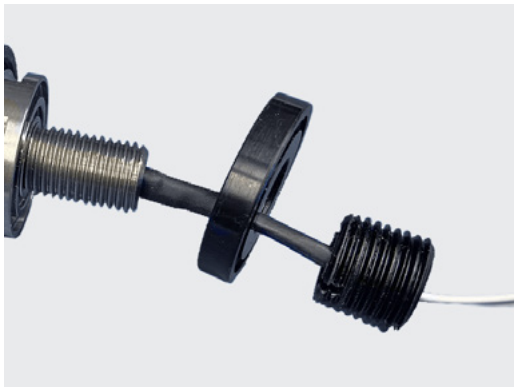
PAS-321

- 7/8" wrench flats on body.
- Install wrench included.
- US Mill or DFARS Only sourced Ti 6-4.

Note: A MCBH-280 adapter fitting is recommended to isolate the Titanium body of the Pressure Activated Switch from an end cap of a less noble material to prevent galvanic corrosion.



Companion Product:



MCBH Insulator

IFS-280

The MCBH Insulator allows any metal shell connector in an endcap of a different metal, preventing galvanic corrosion.

This MCBH Insulator can be used to isolate the titanium pressure activated switch from the endcap of a different metal.