



Pressure Proof Caps

PP-103



A Pressure Proof Cap is used with all Global Ocean Design Self-Sealing Purge Ports (PP-129, PP-101) to seal and protect the purge port from exposure to the ocean.

To reduce galvanic corrosion, the caps are manufactured in common housing materials including:

- 6061-T6 Aluminum Black Anodize
- Titanium 6-4
- 316 Stainless Steel
- Black Delrin
- White Delrin

Customer to specify material to match the end cap at the time of purchase.

Key Features:

- Metal caps have a half-dovetail groove to hold the o-ring in place during installation
- Bare threads in the Pressure Proof Cap tie it to the end cap's sacrificial anode
- Individually pressure tested

Notes:

- Customer to specify material to match the end cap at the time of purchase.

globaloceandesign.com

info@globaloceandesign.com

858.560.1799

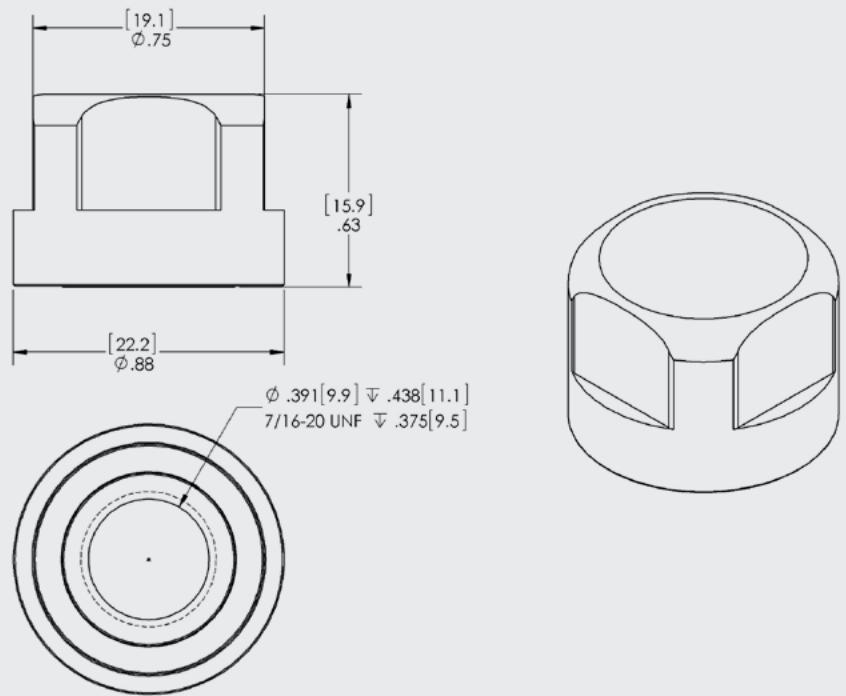
7955 Silverton Ave., Suite 1208
San Diego, CA 92126

Pressure Proof Caps

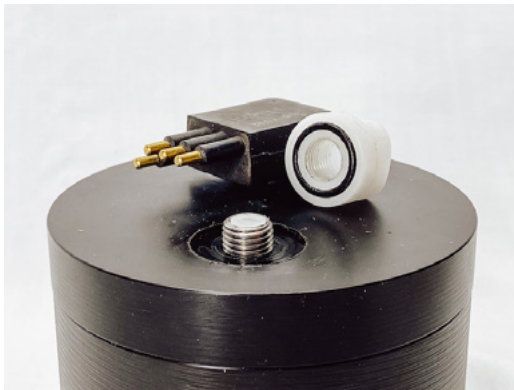
PP-103

Specifications:

- 3/4" wrench flats on cap
- O-ring, 2-015, N0674-70 (spares included)
- Metal caps individually tested to 10,000 psi
- Delrin caps individually tested to 3,000 psi
- Ti 6-4 tested to 18,000 psi at additional cost



Companion Product:



Purge Port for End Caps

PP-129

The patented self-sealing Purge Port for End Caps are used with the Global Ocean Design Deck Purge Box to remove moisture and perform a vacuum leak test.



Deck Purge Box

DPB-107

The patented Deck Purge Box dynamically removes moisture vapor from undersea housings and provides a vacuum leak test to check seal integrity.