

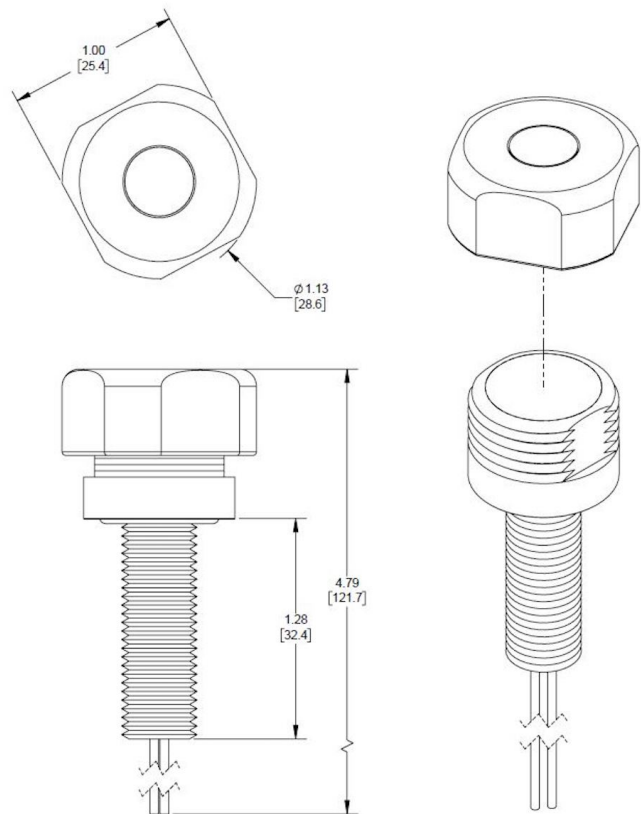
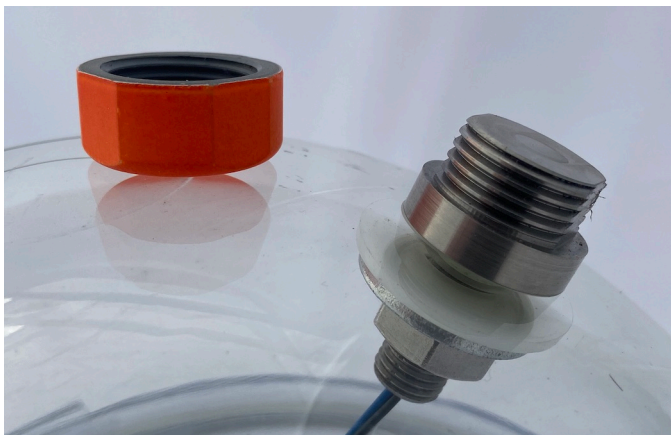
# Magnetically Activated Switch for Glass Spheres

MAS-151



Turn on or turn off a system before deployment or after recovery using the Global Ocean Design **Magnetically Activated Switch for Glass Spheres**. A normally open-common-normally closed (SPDT) reed switch is housed inside a Titanium 6-4 body.

The bright orange screw-on cap containing the neodymium magnet is removed before deployment to activate the switch.



## Specifications

- Fits a clearance 7/16" Dia hole with a 1" spotface
- normally open-common-normally closed (SPDT) reed switch
- Contacts rated for 5W
- Tested to 10,000 psi (testing to 18,000 psi available at additional cost)
- 3/4" wrench flats on body for installation

