

Pressure Activated Switch, glass spheres

PAS-320



Turn instruments on or off after deployment using the Global Ocean Design **Pressure Activated Switch for spheres**. The switch is selected to be either “ON” or “OFF” at the surface. As the switch is carried below 2-5 atmospheres deep, it switches to the alternate position. On return to the surface, the switch toggles back to the initial position.

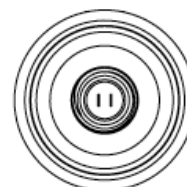
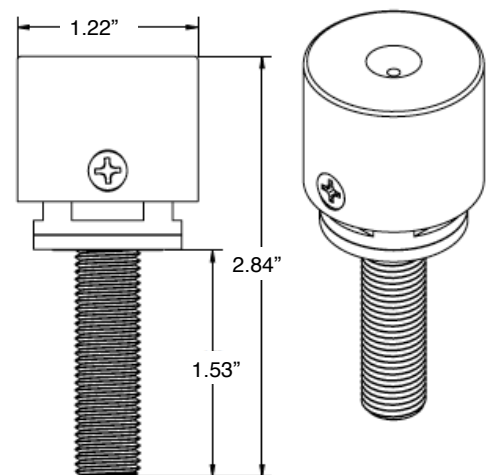
The switch can withstand overpressure to 1,225 atmospheres.

The switch body is made from DFARS sourced Ti 6-4, and features a triple frictionless seal.

Option 1: “ON” at surface, “OFF” at depth, or
Option 2: “OFF” at surface, “ON” at depth.

Specifications

- Triggers, 2-5 atm
- Fits a clearance 7/16” Dia hole with a 1” spotface.
- The high rel switch current carrying capacity is 250 mA @ 120 V AC or 28 V DC, 125 mA @ 250 VAC.
- Customer to specify:
 - Option 1: “ON” at surface, “OFF” at depth, or
 - Option 2: “OFF” at surface, “ON” at depth
- 4” 22 AWG wires
- Individually serialized.
- Standard testing to 10,000 psi. Optional testing to 18,000 psi.
- 7/8” wrench flats on body. Install wrench included.



Pressure Activated Switch, glass spheres (PAS-320)

Install instructions

