

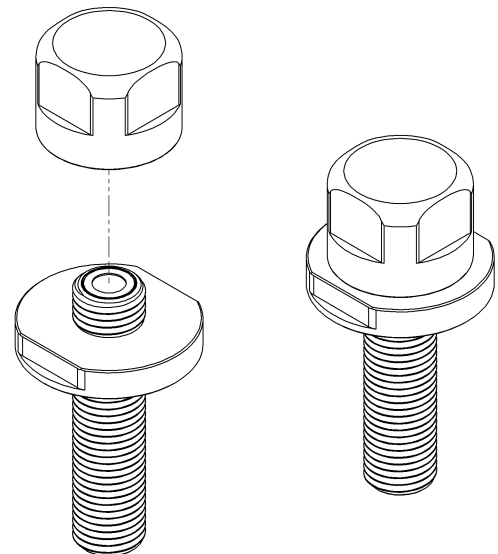
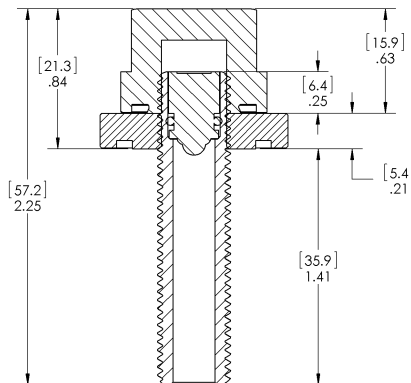
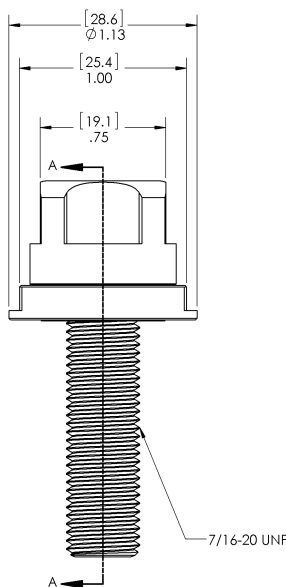
# Purge Port, glass sphere (PP-101), Thru-hole, includes pressure proof cap



Our patented self-sealing Purge Ports are used during vacuum leak testing and moisture removal from underwater housings. Once the dry air backfill is complete, and the Purge System Connector is removed, a check valve inside the Purge Port closes, sealing the partial vacuum inside the housing. This allows time to carefully clean, inspect, and lightly grease the Pressure Proof Cap (PP-103) o-ring and surfaces prior to final assembly. Once the purge process is complete, a partial vacuum pre-loads the housing o-rings.

The self-sealing Purge Port (PP-101) fits through a clearance 7/16" (29/64"D) thru-hole with a 1" spotface. Large UNF threads reduce possible damage from cross threading and over-torquing. Parts exposed to seawater are made from Ti 6-4, with an individual serial number and each is tested to 10,000 psi.

Purge Port (PP-101) works with the Global Ocean Design Deck Purge Box (DPB-107) or Purge System Connector (PP-127).



## Specifications

- Ti 6-4 for all metal exposed to seawater
- Requires a clearance 7/16" (29/64"D) thru-hole with a 1" spotface
- 3/4" wrench flats on cap
- 1" wrench flats on body for installation
- Interior fastener hardware includes nylon and SS flat washers, SS lock washer and hex nut.
- O-ring, body, 2-018-70, cap, 2-015-70
- Individually tested to 10,000 psi. For deeper depth rating, contact factory.

