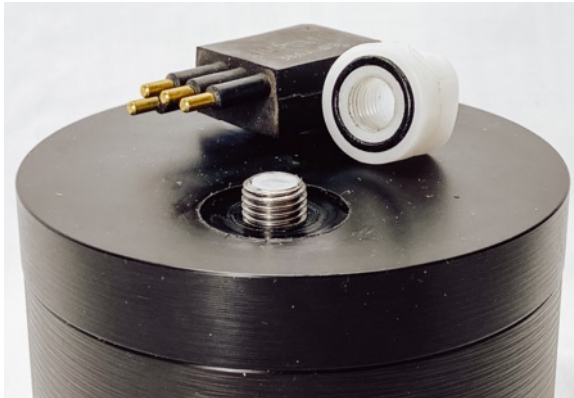


Purge Port for End Cap

PP-129

(Pressure proof cap sold separately)

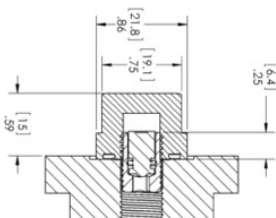
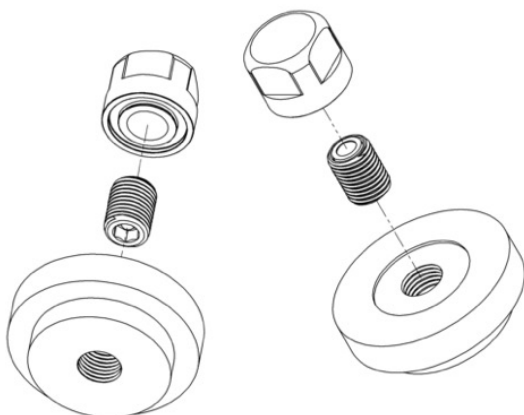


Shown with Delrin pressure proof cap (PP-103)

Our patented self-sealing **Purge Port for End Caps** are used with the Global Ocean Design Deck Purge Box to remove moisture and perform a vacuum leak test. Once the Purge System Connector is removed, a check valve inside the Purge Port closes, sealing the partial vacuum inside the housing, providing time to carefully clean, inspect, and lightly grease the Pressure Proof Cap (PP-103), the o-ring and end cap surface prior to final assembly.

This self-sealing Purge Port (PP-129) fits a 7/16-20 tapped hole and spotface in an endcap. Large UNF threads reduce possible damage from cross threading and over-torquing.

The Purge Port works with the Global Ocean Design Deck Purge Box (DPB-107) or the Purge System Connector (PP-127). The Purge Port requires a Pressure Proof Cap (PP-103), sold separately in several different materials to complete the assembly.



Specifications

- Requires 7/16-20 x 3/8" full thread tapped hole in housing, tap drill through, with 1" spotface (32 RMS Circular finish).
- Pressure proof cap (PP-103) available in Ti 6-4, 6061-T6, 316SS, or Delrin to match end cap material. (Sold separately)
- Used with Global Ocean Design Deck Purge Box (DPB-107)

